

Features

- 6 hydromassage jets can be individually adjusted for water flow and direction.
- Variable-speed pump for adjusting hydromassage intensity.
- Built-in heater.
- Electronic keypad.
- Integral apron.
- Safeguard® slip-resistant surface on bath floor.
- Coordinates with other products in the Memoirs collection.

Material

- KOHLER® enameled cast iron.

Hydrotherapy

- Whirlpool.

Installation

- Right drain.
- Alcove.

Required Products/Accessories

K-9696 Whirlpool 6-Jet Trim Kit

Recommended Products/Accessories

K-1491 Bath/Whirlpool Pillow
K-1601 Bath/whirlpool footstop, removable
K-7161-AF 1-1/2" adjustable pop-up drain above- or through-floor
K-7259 Brass toe tap bath drain
K-9497 2-1/2" Keypad Trim
K-702200-G73 Frameless Sliding Bath Door
K-702200-L Frameless Sliding Bath Door
K-23726 Drain treatment
K-23725 Cast iron cleaner



ADA

Codes/Standards





ASME A112.19.1/CSA B45.2
ASME A112.19.7/CSA B45.10
ASTM F462
UL 1795
CSA C22.2 No. 218.2
ADA
ICC/ANSI A117.1

KOHLER® Enameled Cast Iron Bath and Shower Base Lifetime Limited Warranty KOHLER® Hydrotherapy Components Five-Year Limited Warranty

See website for detailed warranty information.

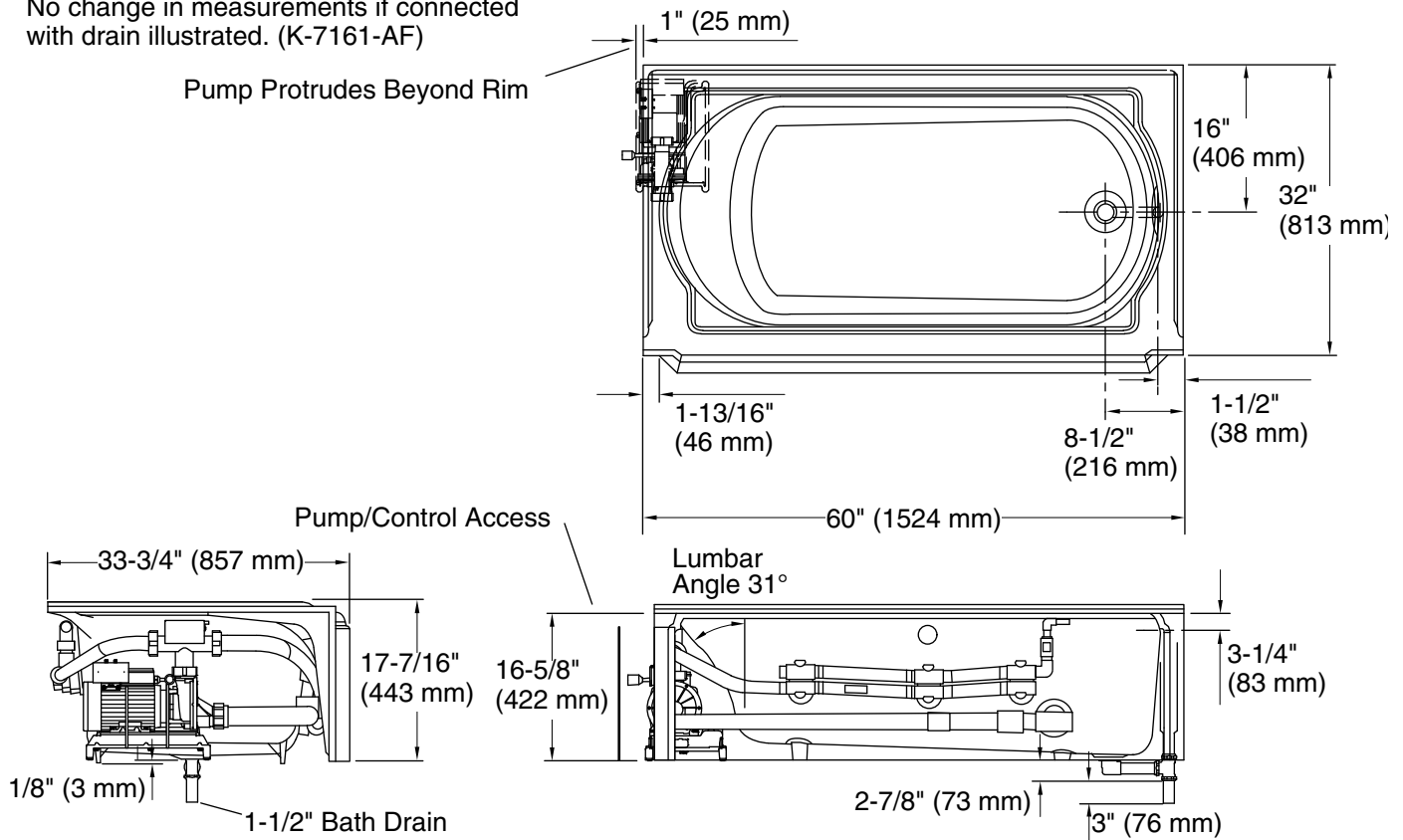
Available Colors/Finishes

Color tiles intended for reference only.

Color	Code	Description
	0	White
	96	Biscuit
	NY	Dune
	G9	Sandbar

No change in measurements if connected with drain illustrated. (K-7161-AF)

Pump Protrudes Beyond Rim



Required Electrical Service

One dedicated circuit required, protected with Class A Ground-Fault Circuit-Interrupter (GFCI). Outside North America, this device may be known as a Residual Current Device (RCD).

Pump, Heater: 240 V, 20 A, 50/60 Hz

Technical Information

All product dimensions are nominal.

Installation: Three-wall alcove
Drain location: Right
Basin area, bottom: 45" x 23" (1143 mm x 584 mm)
Basin area, top: 54" x 25" (1372 mm x 635 mm)
Weight: 390 lbs (176.9 kg)
Minimum floor load: 61 lbs/ft² (297.8 kg/m²)
Water depth: 11-5/8" (295 mm)
Water capacity: 52 gal (196.8 L)
Electrical component rating: Pump: 240 V, 11 A
Heater: 240 V, 6 A, 1500 W
Pump speed: Variable

Notes

Measure your actual product for rough-in details.

Install this product according to the installation instructions.

The hot water supply should be 70% of the capacity of the bath or greater. Installations will vary.

ADA compliant when installed to the specific requirements of these regulations.